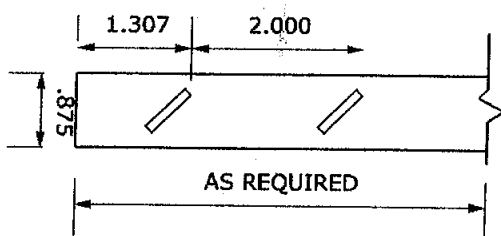
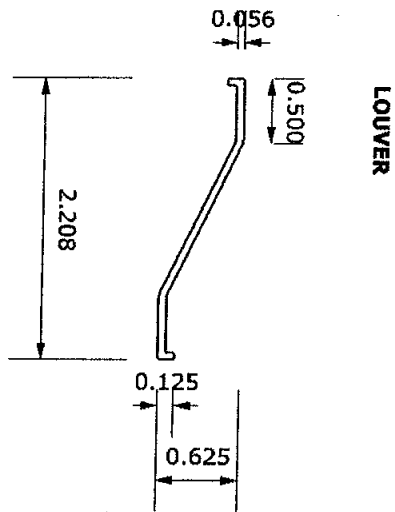
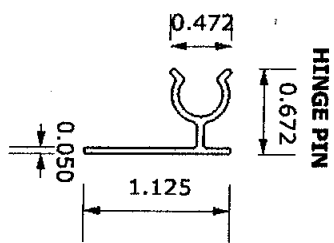
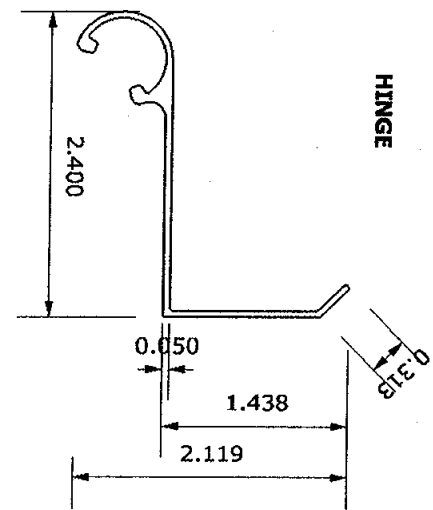
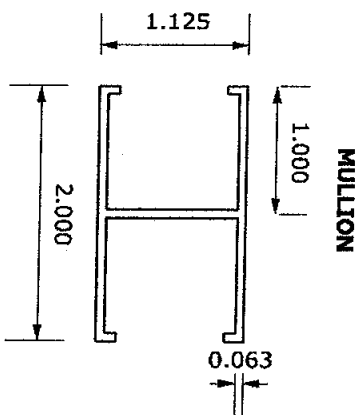
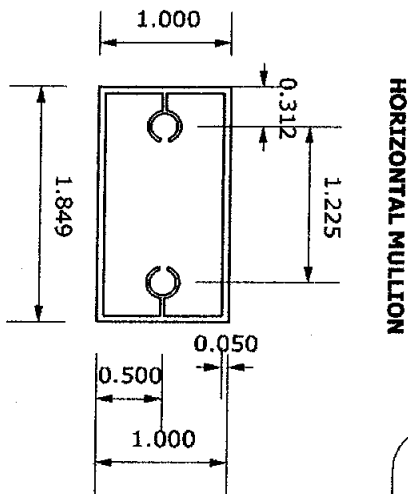
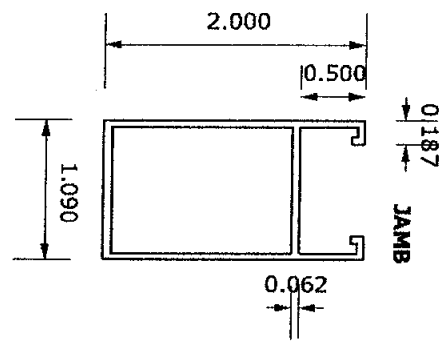
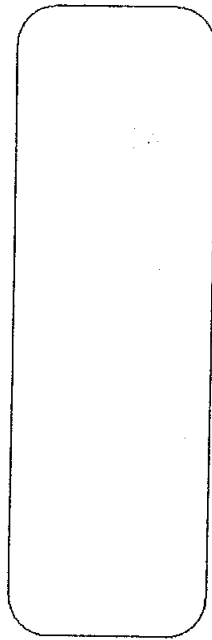
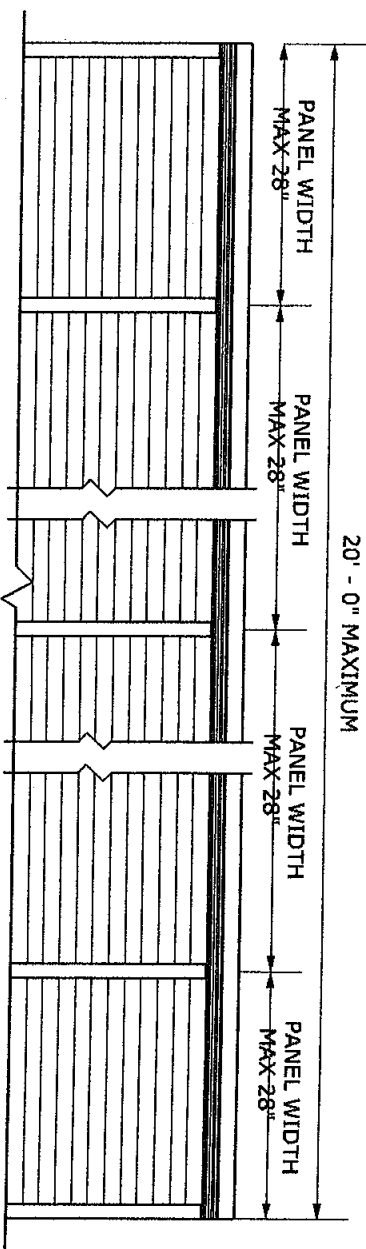


DECORATIVE BAHAMA AWNING



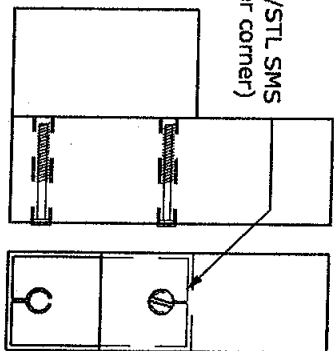
FBC 2004/ASCE-7-02
140 MPH (3 Seg. Gust)
EXPOSURE C
I=1.0

PARTIAL FRONT VIEW MULTIPLE PANEL SHUTTER



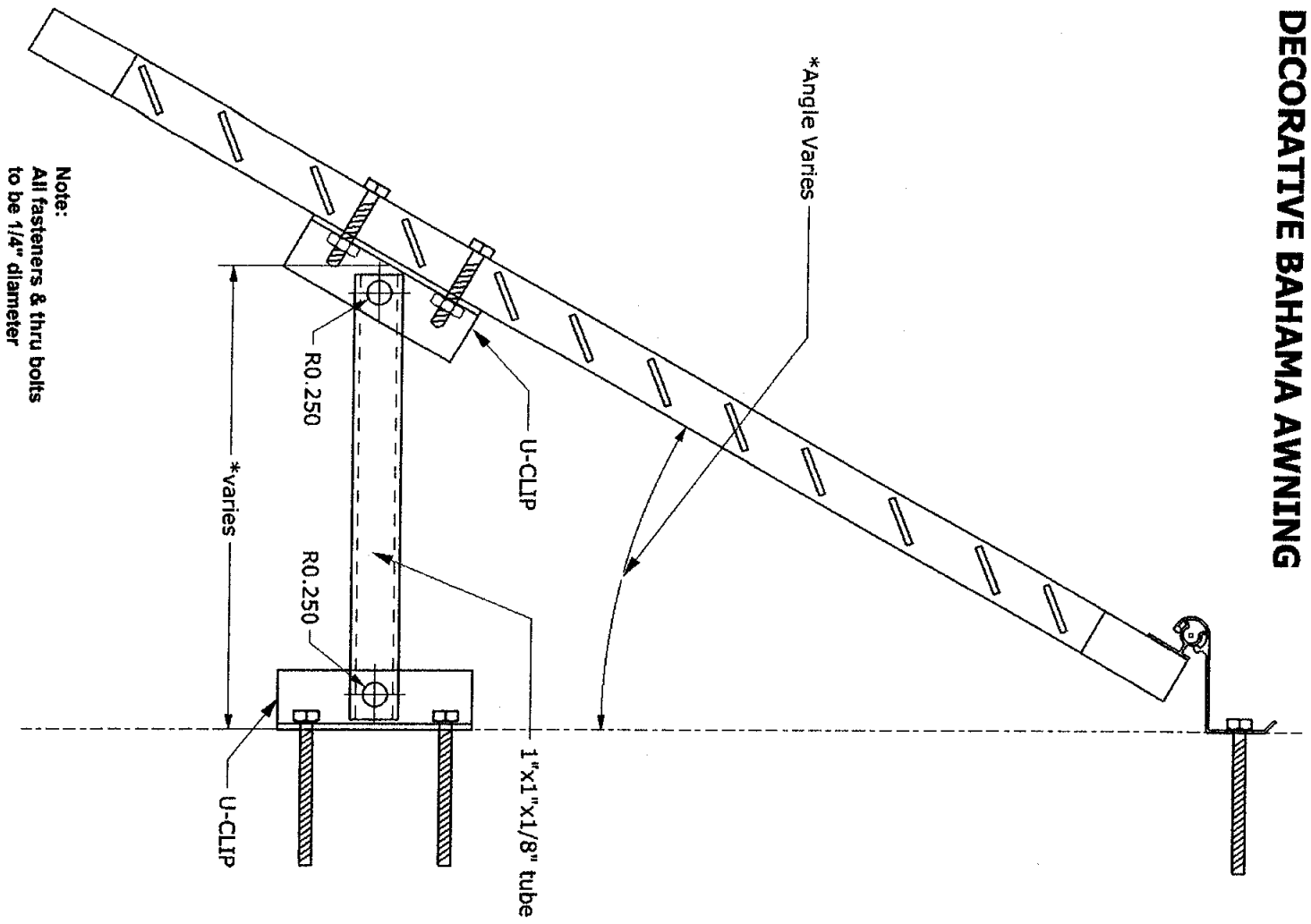
No 6" x 2" S/STL SMS
Screw (2 per corner)

TYP. CORNER DETAIL

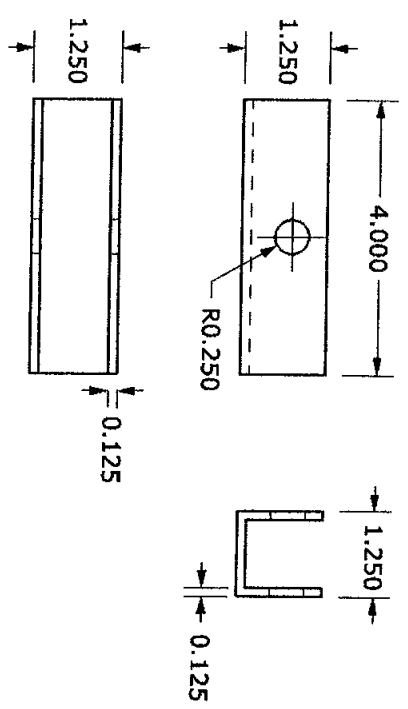


THOMAS J. TWOMEY, P.E. #25626
2831 Exchange Ct., Ste. A
West Palm Beach, FL 33409
(561) 698-2944

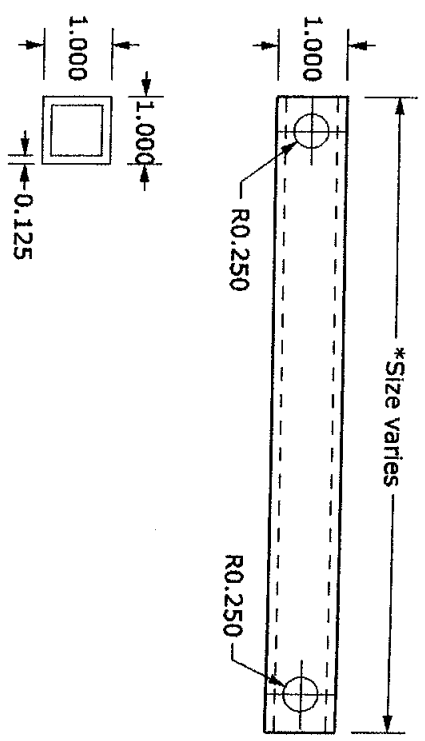
DECORATIVE BAHAMA AWNING



Note:
All fasteners & thru bolts
to be 1/4" diameter



U-CLIP



TUBE

THOMAS J. TWOMEY, P.E. #25626
2831 Exchange Ct., Ste. A
West Palm Beach, FL 33409
(561) 698-2844