



MIAMI-DADE COUNTY
BUILDING CODE COMPLIANCE OFFICE (BCCO)
PRODUCT CONTROL DIVISION

MIAMI-DADE COUNTY, FLORIDA
METRO-DADE FLAGLER BUILDING

140 WEST FLAGLER STREET, SUITE 1603
MIAMI, FLORIDA 33130-1563
(305) 375-2901 FAX (305) 375-2908

www.miamidade.gov

NOTICE OF ACCEPTANCE (NOA)

Aeicor Metal Products, Inc.
450 West McNab Road
Ft. Lauderdale, FL 33309

SCOPE:

This NOA is being issued under the applicable rules and regulations governing the use of construction materials. The documentation submitted has been reviewed by Miami-Dade County Product Control Division and accepted by the Board of Rules and Appeals (BORA) to be used in Miami Dade County and other areas where allowed by the Authority Having Jurisdiction (AHJ).

This NOA shall not be valid after the expiration date stated below. The Miami-Dade County Product Control Division (In Miami Dade County) and/or the AHJ (in areas other than Miami Dade County) reserve the right to have this product or material tested for quality assurance purposes. If this product or material fails to perform in the accepted manner, the manufacturer will incur the expense of such testing and the AHJ may immediately revoke, modify, or suspend the use of such product or material within their jurisdiction. BORA reserves the right to revoke this acceptance, if it is determined by Miami-Dade County Product Control Division that this product or material fails to meet the requirements of the applicable building code.

This product is approved as described herein, and has been designed to comply with the High Velocity Hurricane Zone of the Florida Building Code.

DESCRIPTION: Aluminum Canopy with Overhead Supports

APPROVAL DOCUMENT: Drawing No. DCC-5, titled "Canopy the Overhead Supports", sheets 1 through 2 of 2, prepared by Thomas J. Twomey, P.E., last revision #2 dated January 16, 2002, bearing the Miami-Dade County Product Control Renewal stamp with the Notice of Acceptance number and the expiration date by the Miami-Dade County Product Control Division.

MISSILE IMPACT RATING: None

LABELING: Each beam and roof panel shall bear a permanent label with the manufacturer's name or logo, city, state and the following statement: "Miami-Dade County Product Control Approved", unless otherwise noted herein.

RENEWAL of this NOA shall be considered after a renewal application has been filed and there has been no change in the applicable building code negatively affecting the performance of this product.

TERMINATION of this NOA will occur after the expiration date or if there has been a revision or change in the materials, use, and/or manufacture of the product or process. Misuse of this NOA as an endorsement of any product, for sales, advertising or any other purposes shall automatically terminate this NOA. Failure to comply with any section of this NOA shall be cause for termination and removal of NOA.

ADVERTISEMENT: The NOA number preceded by the words Miami-Dade County, Florida, and followed by the expiration date may be displayed in advertising literature. If any portion of the NOA is displayed, then it shall be done in its entirety.

INSPECTION: A copy of this entire NOA shall be provided to the user by the manufacturer or its distributors and shall be available for inspection at the job site at the request of the Building Official.

This NOA **renews NOA # 06-0501.14** and consists of this page 1, evidence submitted pages E-1, E-2, & E-3 as well as approval document mentioned above.

The submitted documentation was reviewed by **Helmy A. Makar, P.E., M.S.**



Helmy A. Makar
 02/14/2008

NOA No. 07-1203.13
Expiration Date: 12/18/2012
Approval Date: 02/14/2008
 Page 1

Aeicor Metal Products, Inc.

NOTICE OF ACCEPTANCE: EVIDENCE SUBMITTED

1. EVIDENCE SUBMITTED UNDER PREVIOUS APPROVALS

A. DRAWINGS

1. *Drawing prepared by Knezevich & Associates, Inc., titled "CANOPY WITH OVERHEAD SUPPORTS," Drawing No. 95-200, dated June 13, 1995, last revised October 20, 1995, sheets 1 through 2 of 2, signed and sealed by V. J. Knezevich, P.E. on November 15, 1995.*

B. TESTS

1. *Test report on uniform static air pressure wind load PA 202-94 and live load performance, prepared by Construction Research Laboratory, Inc., Report No. 6203, dated June 22, 1995, signed and sealed by Vipin Tolat, P.E.*

C. CALCULATIONS

1. *Calculations for canopy with overhead supports, pages 1 to 11, prepared by Knezevich & Associates, Inc., signed and sealed by V. J. Knezevich, P.E. on July 6, 1995.*

D. MATERIAL CERTIFICATIONS

1. *Mill Certified Test Report issued by Alumax Mill Products, dated March 28, 1991, with chemical composition and mechanical properties for aluminum alloy 3003-H14.*
2. *Tensile Test Report No. HETI 95-T85, prepared by Hurricane Engineering & Testing, Inc., dated June 5, 1995, signed and sealed by Hector M. Medina, P.E. on July 5, 1995.*

E. STATEMENTS

1. *Letter issued by Aeicor Metal Products, Inc., dated May 7, 1998, stating that there have been no changes to the subject product, signed by Mr. William J. Meise.*
2. *Letter issued by Knezevich & Associates, Inc., dated June 8, 1998, stating that said firm is still in the engineering business, signed and sealed by Mr. V. J. Knezevich, P.E.*

F. OTHER

1. *This approval renews NOA No. 95-0711.02, which was approved on 12/18/95 with an expiration date of 12/18/98.*

2. EVIDENCE SUBMITTED UNDER PREVIOUS APPROVAL #01-1210.03

A. DRAWINGS

1. *Drawing No. DCC-5, titled "Canopy the Overhead Supports", sheets 1 through 2 of 2, prepared by Thomas J. Twomey, P.E., last revision #2 dated January 16, 2002, signed and sealed by Thomas J. Twomey, P.E.*

B. TESTS

1. *None.*



Helmy A. Makar, P.E., M.S.
Product Control Examiner
NOA No. 07-1203.13
Expiration Date: 12/18/2012
Approval Date: 02/14/2008

Aeicor Metal Products, Inc.

NOTICE OF ACCEPTANCE: EVIDENCE SUBMITTED

C. CALCULATIONS

1. *Anchor Calculations and structural analysis, prepared by Thomas J. Twomey, P.E., dated 07/16/2001, signed and sealed by Thomas J. Twomey, P.E. 01/03/2002.*

D. MATERIAL CERTIFICATIONS

1. *None.*

3. EVIDENCE SUBMITTED UNDER PREVIOUS APPROVAL #06-0501.14

A. DRAWINGS

1. *Drawing No: DCC-5, titled "Canopy the Overhead Supports", sheets 1 through 2 of 2, prepared by Thomas J. Twomey, P.E., last revision #2 dated January 16, 2002, signed and sealed by Thomas J. Twomey, P.E.*

B. TESTS

1. *None.*

C. CALCULATIONS

1. *Anchor Calculations and structural analysis, prepared by Thomas J. Twomey, P.E., dated 01/09/2007, signed and sealed by Thomas J. Twomey, P.E., on 01/18/2007.*

D. QUALITY ASSURANCE

1. *By Miami-Dade County Building Code Compliance Office.*

E. MATERIAL CERTIFICATIONS

1. *None.*

4. NEW EVIDENCE SUBMITTED

A. DRAWINGS

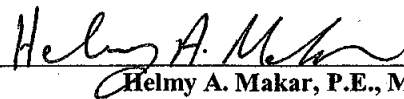
1. *None.*

B. TESTS

1. *Test report on uniform static air pressure wind load PA 202-94 and live load performance, prepared by Hurricane Test Laboratory, LLC, Report No. 0154-1004-07, dated 11/12/07, signed and sealed by Vinu J. Abraham, P.E.*

C. CALCULATIONS

1. *None.*



Helmy A. Makar, P.E., M.S.
Product Control Examiner
NOA No. 07-1203.13
Expiration Date: 12/18/2012
Approval Date: 02/14/2008

Aeicor Metal Products, Inc.

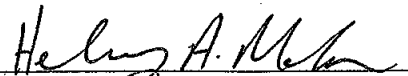
NOTICE OF ACCEPTANCE: EVIDENCE SUBMITTED

D. QUALITY ASSURANCE

1. *By Miami-Dade County Building Code Compliance Office.*

F. MATERIAL CERTIFICATIONS

1. *None.*



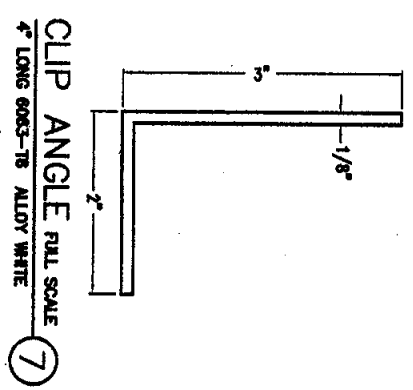
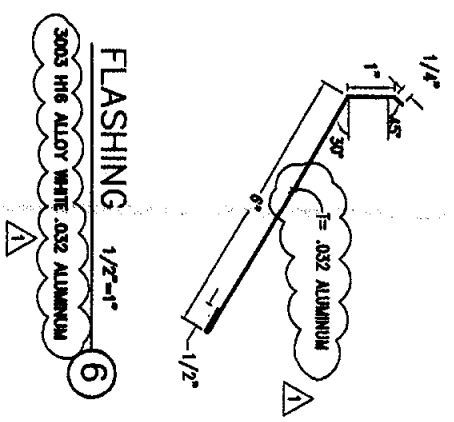
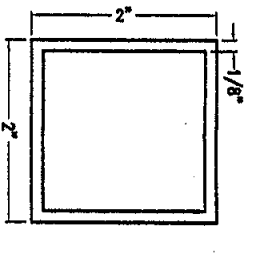
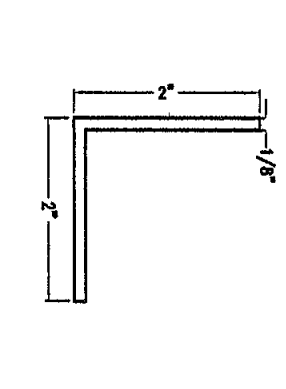
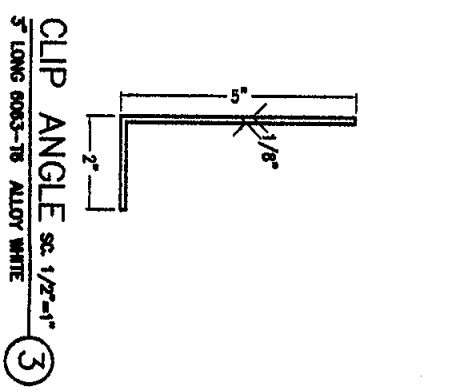
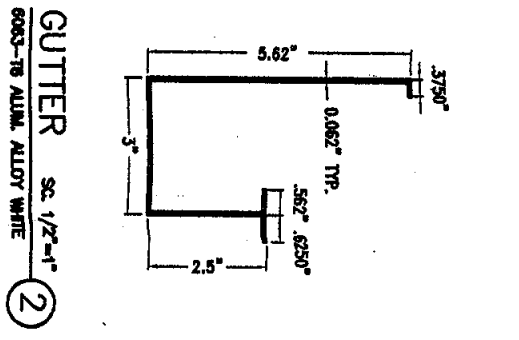
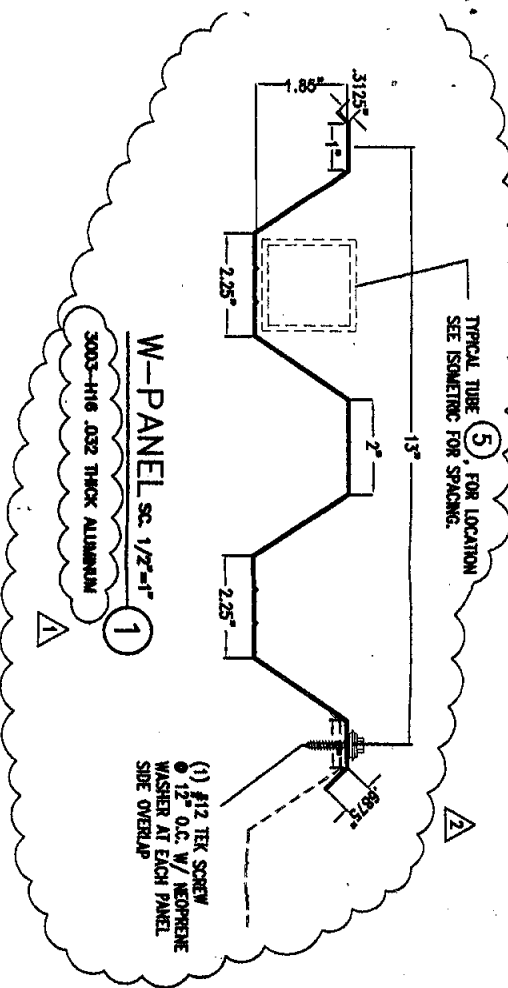
Helmy A. Makar, P.E., M.S.

Product Control Examiner

NOA No. 07-1203.13

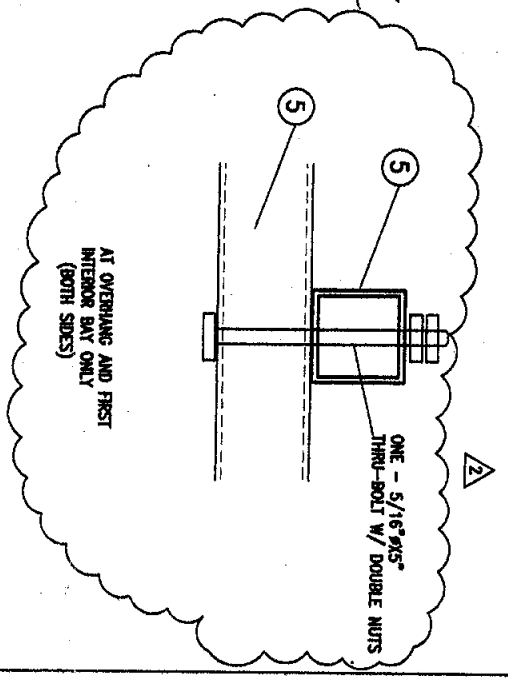
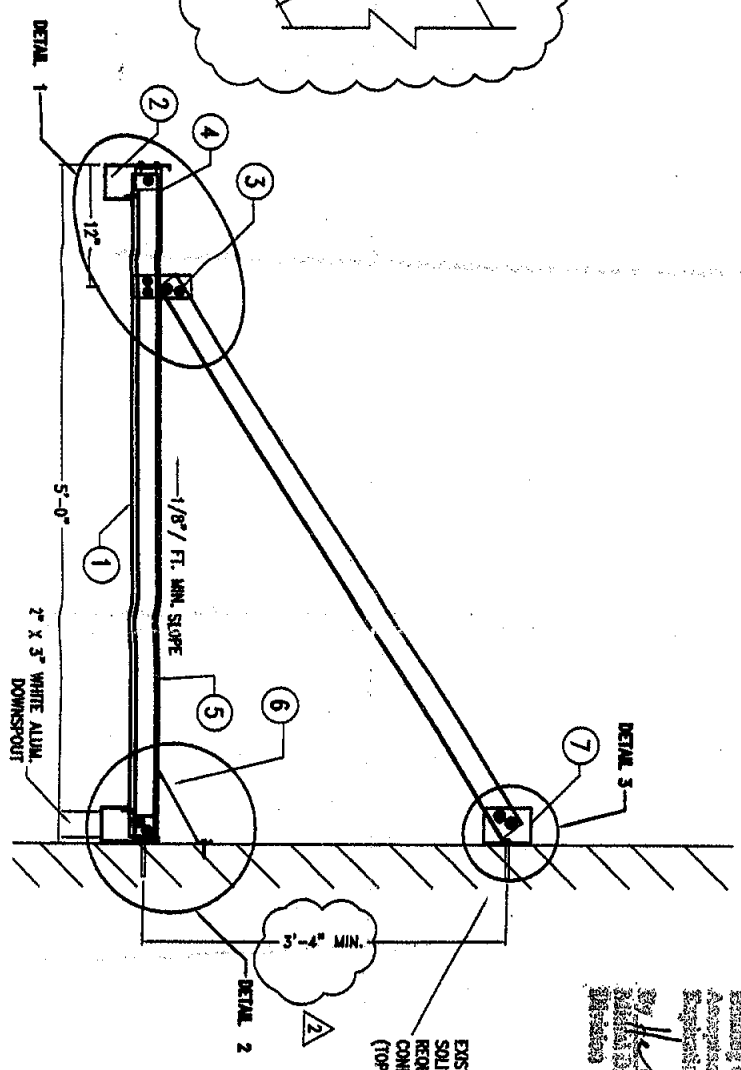
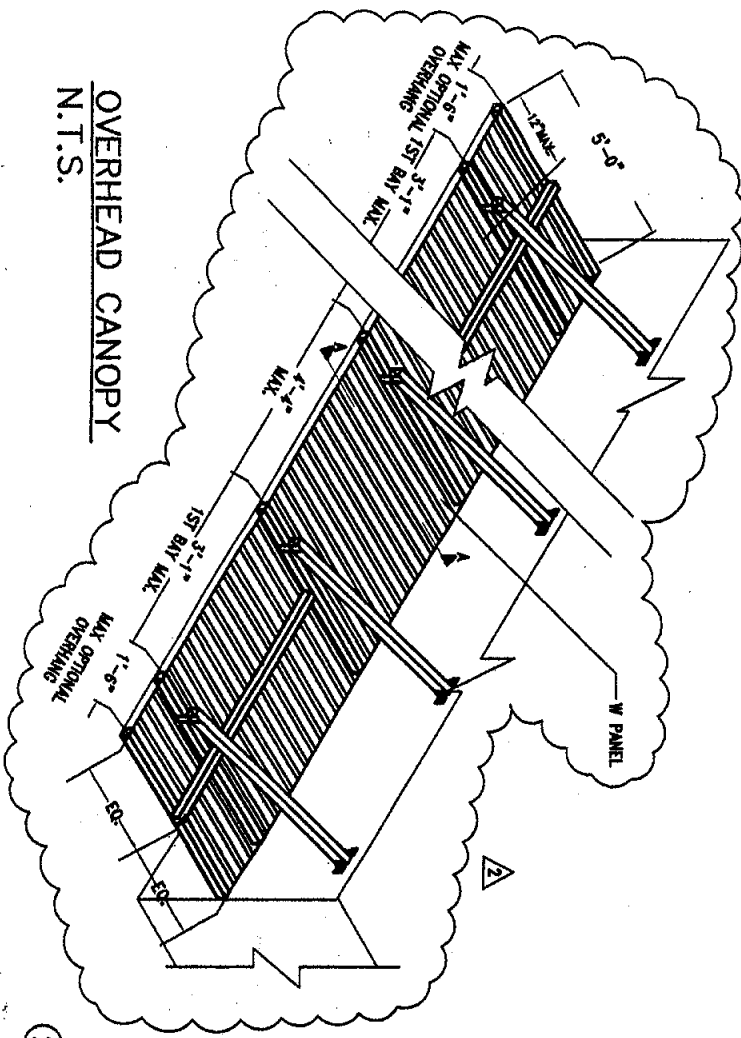
Expiration Date: 12/18/2012

Approval Date: 02/14/2008



- NOTES:**
- THIS CANOPY SYSTEM HAS BEEN DESIGNED IN ACCORDANCE WITH THE FLORIDA BUILDING CODE 2004.
 - THIS CANOPY HAS BEEN DESIGNED FOR THE FOLLOWING LOAD AND DEFLECTION CRITERIA:
 - A. LIVE LOAD 20 PSF
 - B. DEAD LOAD 1 PSF
 - C. WIND LOAD +62.5 PSF DOWN (INTERIOR AND END ZONES) +100.0 PSF DOWN (CORNER ZONES), FIRST BAY -100.0 PSF UP (CORNER ZONES), FIRST BAY
 - D. DEFLECTION $L/180$

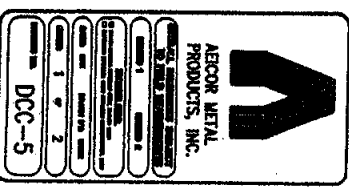
- IN ORDER TO SAFELY INSTALL THIS CANOPY, DESIGN WIND LOAD CALCULATIONS SHALL BE PERFORMED BY A PROFESSIONAL ENGINEER VERIFYING THE WIND LOAD ON THE CANOPY FOR A SPECIFIC INSTALLATION DOES NOT EXCEED THE ABOVE NOTED LOADS.
- THE ADEQUACY OF THE EXISTING STRUCTURE TO SUPPORT THE CANOPY SUPERIMPOSED LOADS SHALL BE VERIFIED BY A PROFESSIONAL ENGINEER.
- ALL EXTERIORS AND SHEET METAL SHALL BE ALUMINUM WITH ALLOYS AS SHOWN ON DRAWINGS.
- ALL ANGLES SHALL BE 6063-T6 ALUMINUM ALLOY.
- ALL SCREENS AND BOLTS SHALL BE 2024-T4 ALUMINUM ALLOY OR GALVANIZED STEEL WITH A MIN F_y = 36 KSI
- IT SHALL BE THE RESPONSIBILITY OF THE PERMIT HOLDER TO VERIFY THE STRUCTURAL ADEQUACY OF THE EXISTING STRUCTURE TO SUSTAIN THE NEW SUPERIMPOSED LOADS, AND TO VERIFY ALL DIMENSIONS AT SITE.



PRODUCT REMOVED
 as existing with the Florida Building Code
 Amendment No. 07-12.03.13
 Adopted Date 12/18/2012
 By *William H. Williams*
 METRO DADE BUILDING DEPARTMENT

PRODUCT REMOVED
 as existing with the Florida Building Code
 Amendment No. 06-05.01.14
 Adopted Date 12/18/2007
 By *William H. Williams*
 METRO DADE BUILDING DEPARTMENT

11/18/12

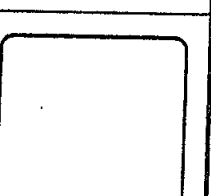


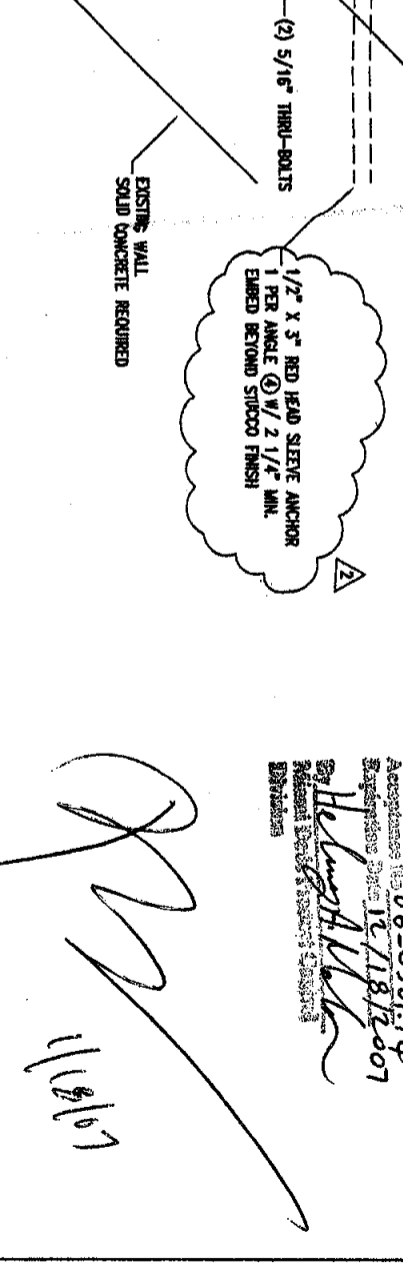
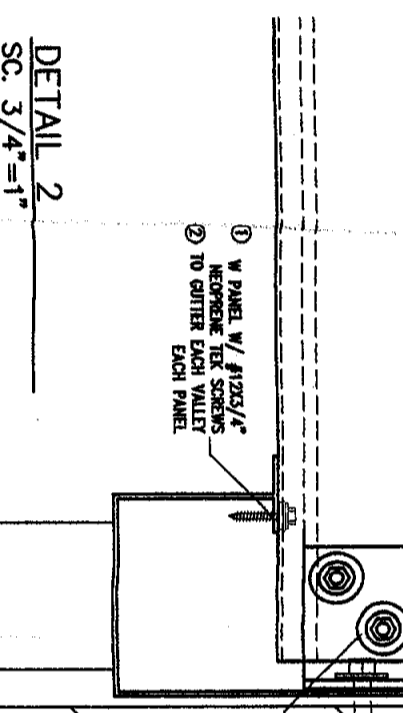
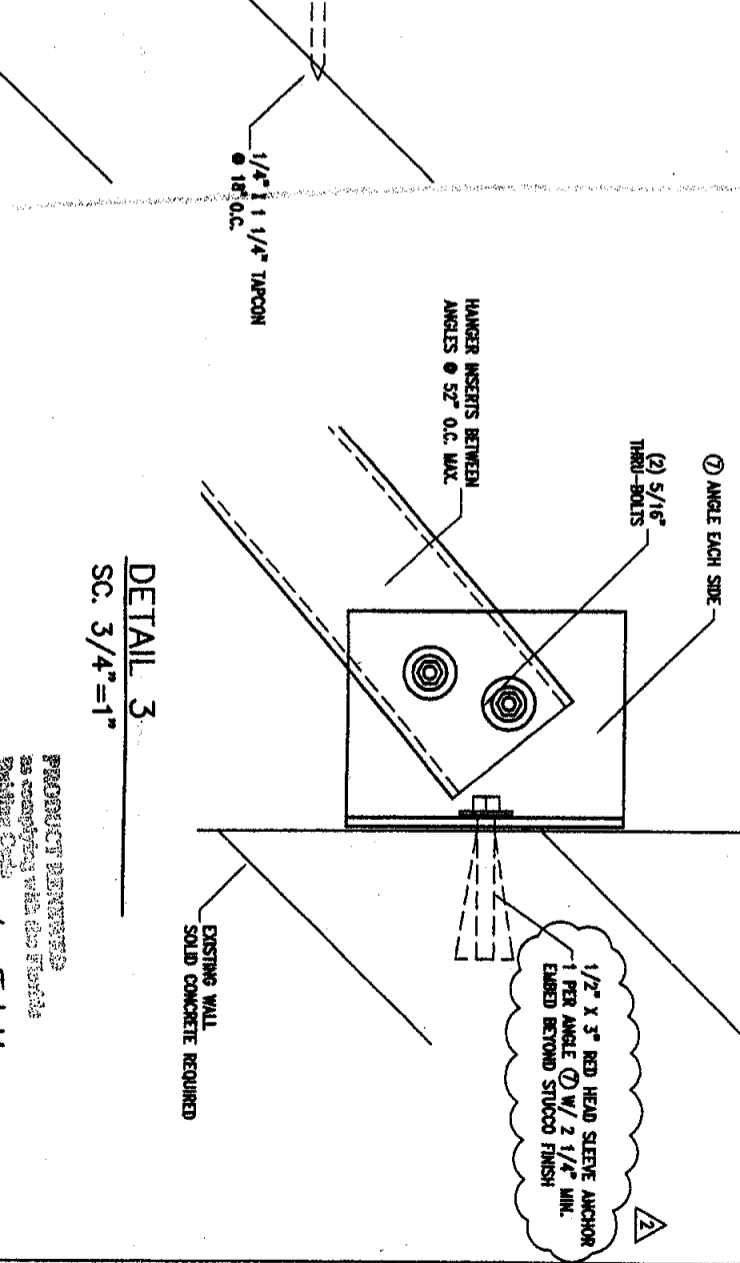
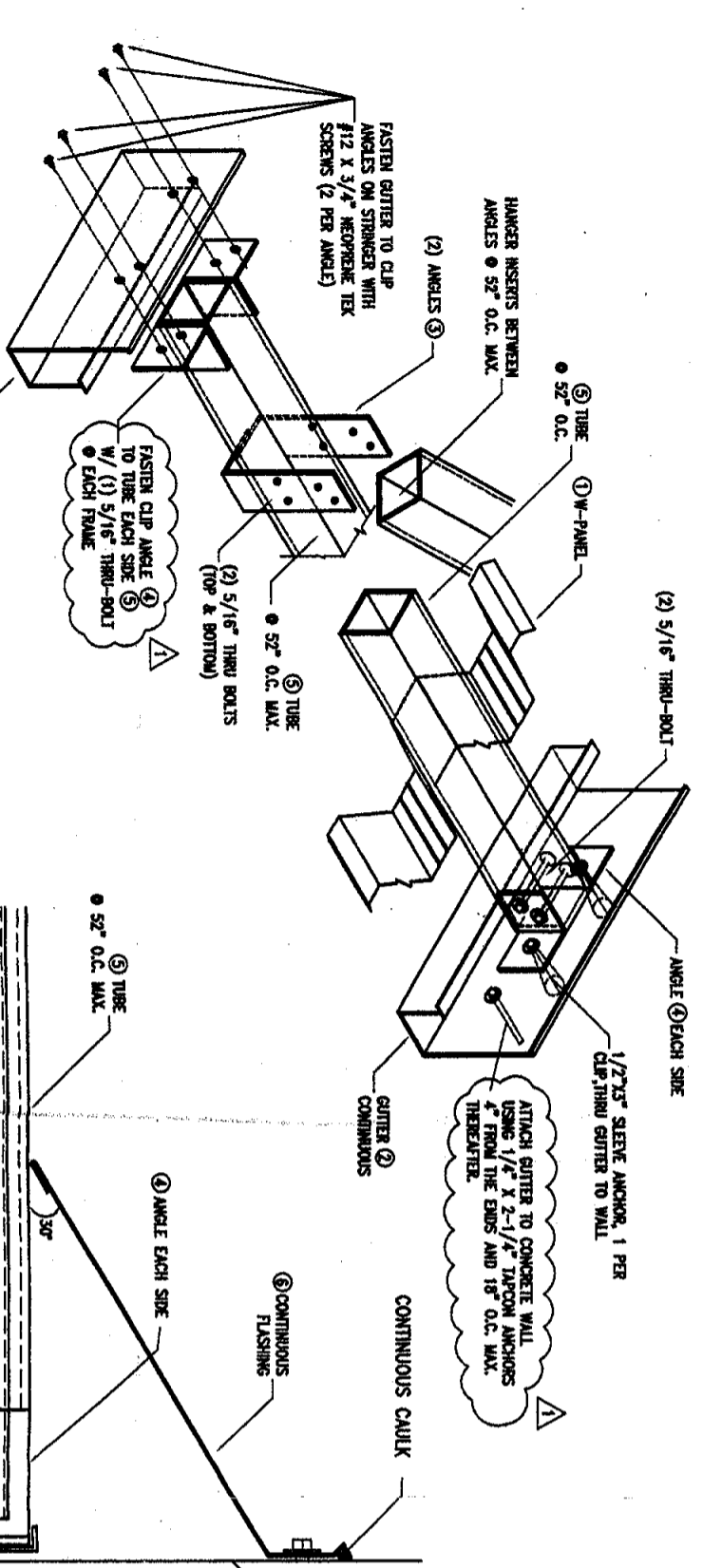
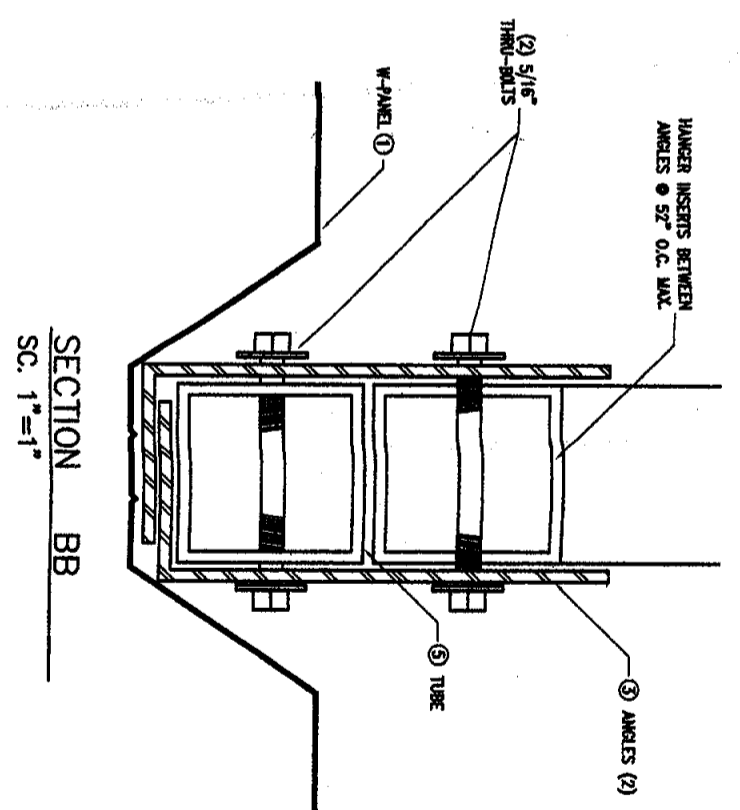
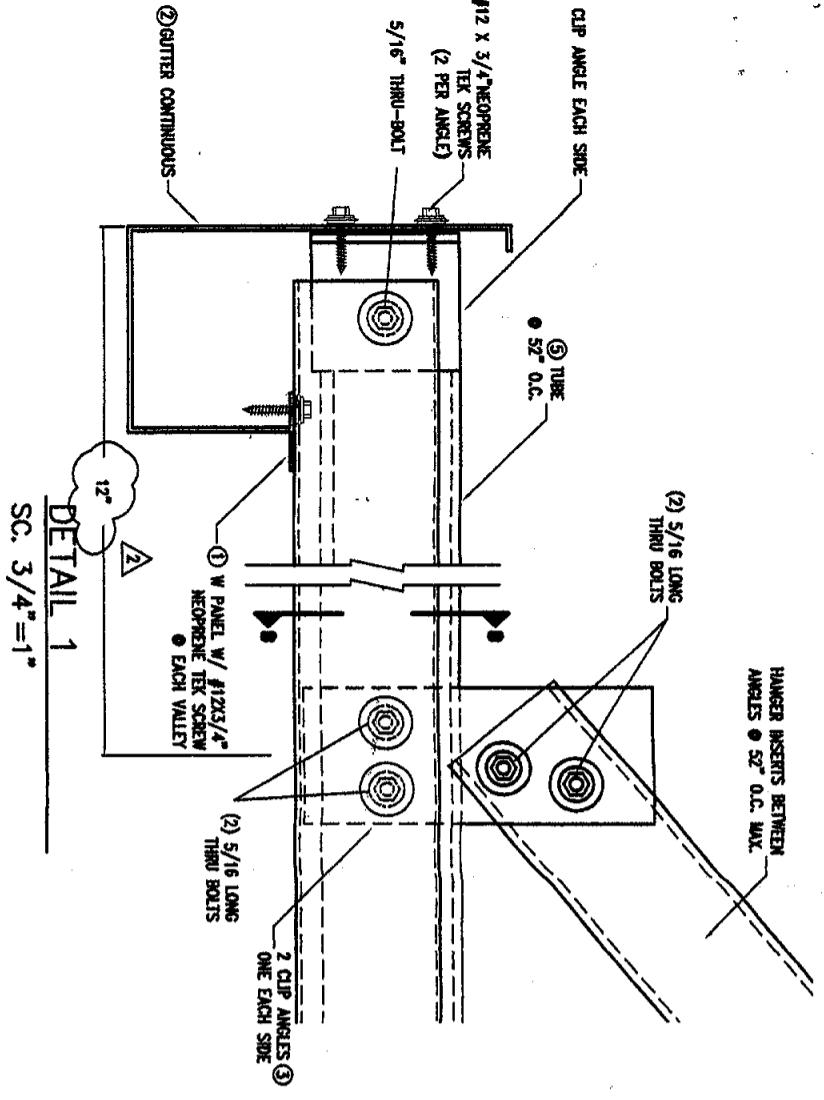
NO.	DATE	BY	DESCRIPTION
1	01/02/02	ES	METRO DADE BLDG. DEPT.
2	01/16/02	ES	METRO DADE BLDG. DEPT.



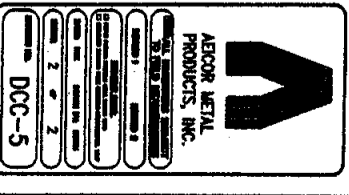
CANOPY WITH OVERHEAD SUPPORTS
AECOR METAL PRODUCTS, INC.
 450 WEST McNAB ROAD
 FT. LAUDERDALE, FL 33309
 (800) 432-1803
 (954) 247-3300 FAX: (954) 247-3491

THOMAS J. TWOMEY, P.E.
 FLORIDA REG. ENGINEER NO. 25826
 2831-A EXCHANGE COURT
 WEST PALM BEACH, FL 33409
 (561) 688-2844

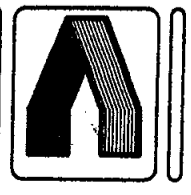




PROJECT NUMBER: 06-0501-14
 As completed with the Florida Building Code
 Acceptance Date 12/18/2007
 By: *Heather H. Allen*
 Regional Sales & Service Director



NO.	DATE	BY	DESCRIPTION
1	01/02/02	ES	METRO DADE BLDG. DEPT.
2	01/16/02	ES	METRO DADE BLDG. DEPT.



CANOPY WITH OVERHEAD SUPPORTS
AIECOR METAL PRODUCTS, INC.
 450 WEST McNAB ROAD
 FT. LAUDERDALE, FL 33309
 (800) 432-1805
 (954) 247-3500 FAX: (954) 247-3491

THOMAS J. TWOMEY, P.E.
 FLORIDA REG. ENGINEER NO. 25626
 2831-A EXCHANGE COURT
 WEST PALM BEACH, FL 33409
 (561) 688-2844

DCC-5